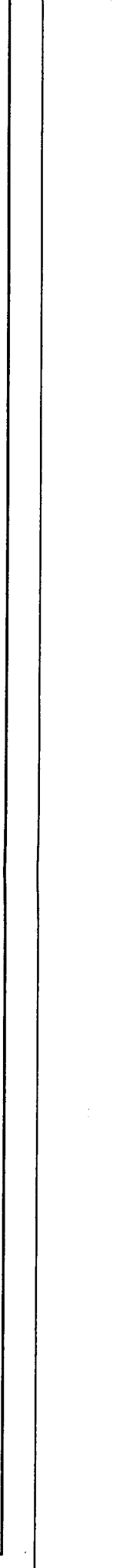
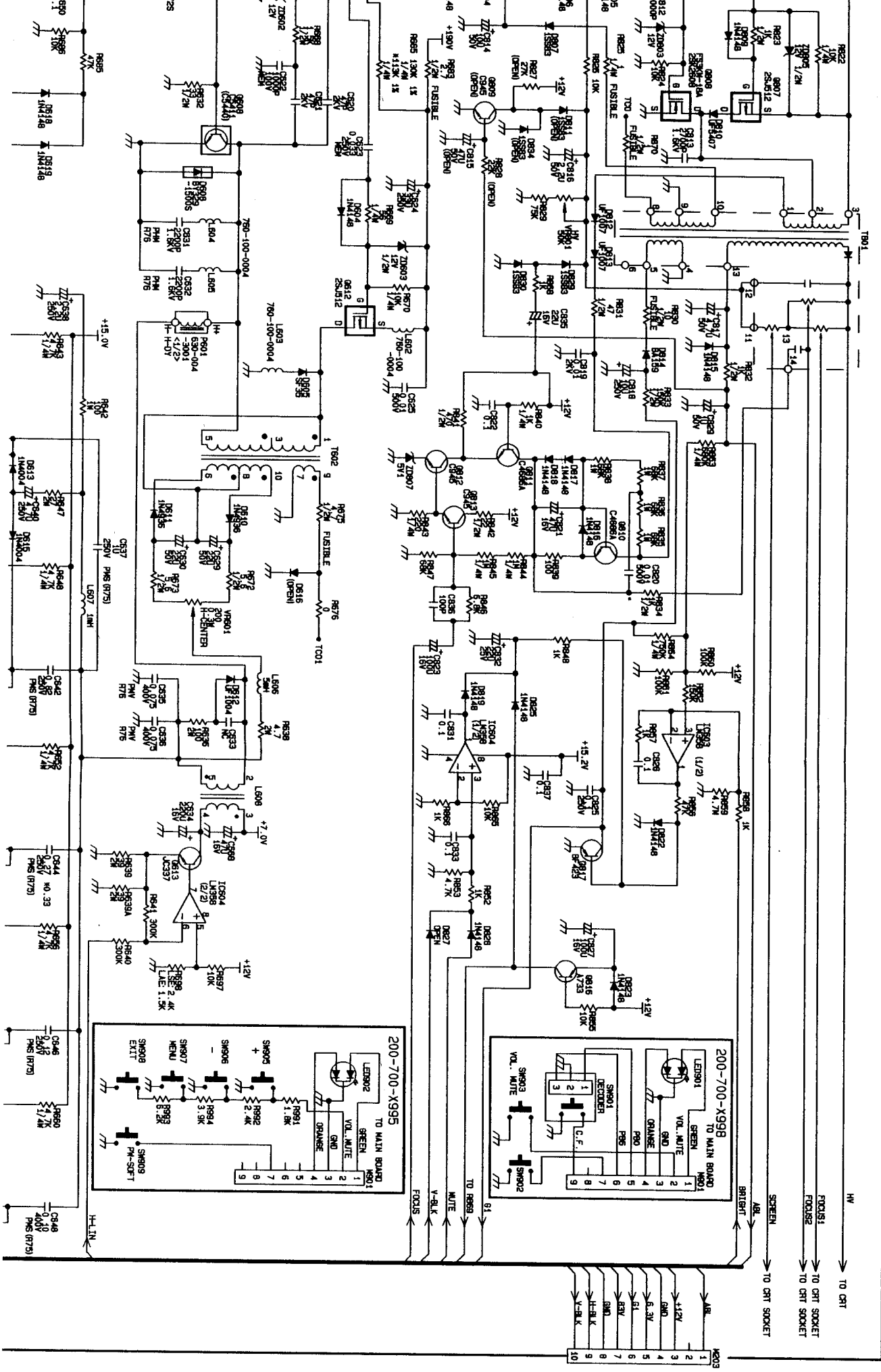
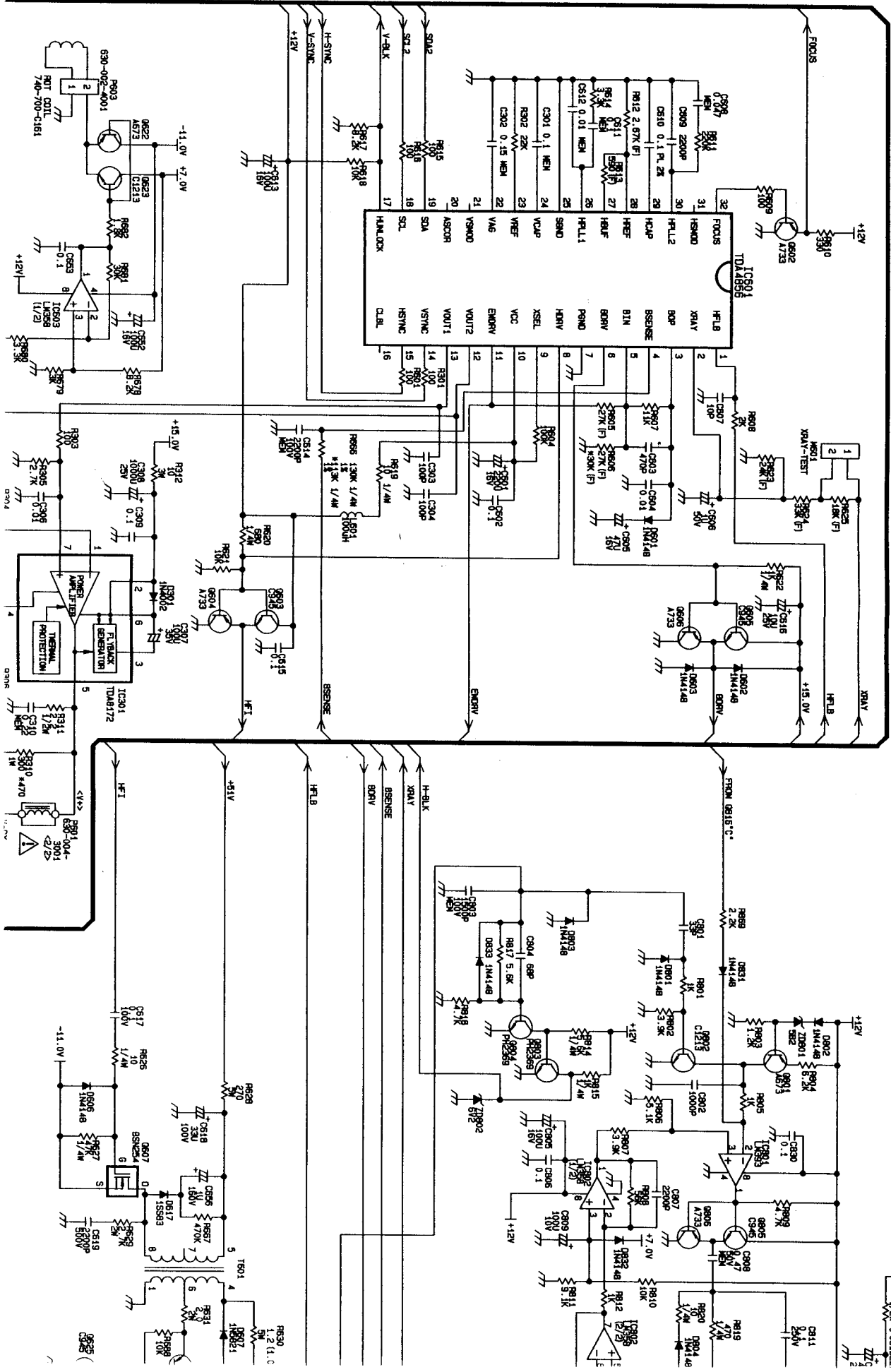


DRN	
DSN	
CKD	
APPD	

PROVEN ELECTRONICS (TAIWAN) CO., LTD.
 998A
 P794.SCH 200-100-P79E
 REV: S4
 DATE: 1999-10-26

* FOR 19" HITACHI CRT





+12V
R821
2.2k
FUSIBLE
Z 0.1
1

+11.0V
Z 0.1
1

+12V
R802
1M4148
Z 10k
2

+15.0V
R801
1M4148
Z 10k
2

+11.0V
R807
1M4148
Z 10k
2

+12V
R808
1M4148
Z 10k
2

+15.0V
R809
1M4148
Z 10k
2

+12V
R810
1M4148
Z 10k
2

+12V
R811
1M4148
Z 10k
2

+12V
R812
1M4148
Z 10k
2

+12V
R813
1M4148
Z 10k
2

+12V
R814
1M4148
Z 10k
2

+12V
R815
1M4148
Z 10k
2

+12V
R816
1M4148
Z 10k
2

+12V
R817
1M4148
Z 10k
2

+12V
R818
1M4148
Z 10k
2

+12V
R819
1M4148
Z 10k
2

+12V
R820
1M4148
Z 10k
2

+12V
R821
1M4148
Z 10k
2

+12V
R822
1M4148
Z 10k
2

+12V
R823
1M4148
Z 10k
2

+12V
R824
1M4148
Z 10k
2

+12V
R825
1M4148
Z 10k
2

+12V
R826
1M4148
Z 10k
2

+12V
R827
1M4148
Z 10k
2

+12V
R828
1M4148
Z 10k
2

+12V
R829
1M4148
Z 10k
2

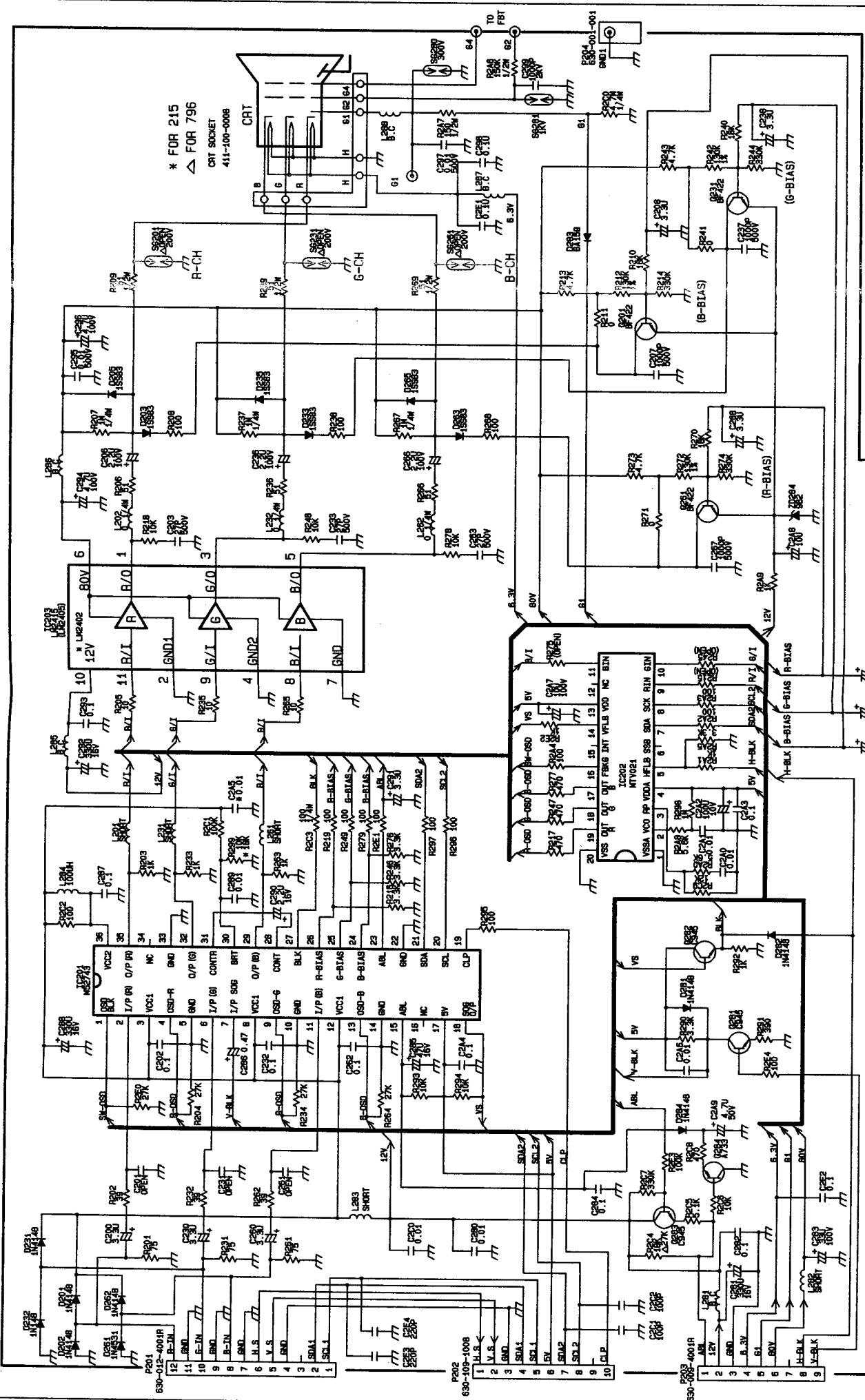
+12V
R830
1M4148
Z 10k
2

+12V
R831
1M4148
Z 10k
2

+12V
R832
1M4148
Z 10k
2

+12V
R833
1M4148
Z 10k
2

+12V
R834
1M4148
Z 10k
2



* FOR 215
 △ FOR 796
 CRT SOCKET
 411-100-0006

DRN	
DSN	
CKD	
APPO	A

PROVIEW
 ELECTRONICS (TAIWAN) CO., LTD.
 P7 CRT BOARD.
 P7CR1S3.SCH
 DATE: 1999-12-21

200-200-P7